

CMC
THE SPECIALIFT

HD SERIES
HEAVY DUTY





HD SERIES

HEAVY DUTY

**Strong, agile, high-performance.
Ready to perform in any conditions.**

Two platforms designed for the toughest jobs, which combine the great strength of the undercarriage with the maximum agility of the aerial part, composed of a single pantograph with a telescopic boom.

Thanks to their compact design, long outreach and articulated outriggers with high levelling capabilities, the HD series platforms are the undisputed leaders of the work in extreme conditions, with maximum operating working heights between 19m and 22m . They are able to operate in any condition and on any terrain and ensure maximum efficiency and safety, thanks to the Self Control System by CMC, an electronic system that automatically carries out most of the control and stabilisation operations.

S19HD



S22HD



BENEFITS



Easy to transport

Strong, but contained in weight, the CMC HD Series platforms are self-loading and easy to transport on a trailer. Thanks to their compact dimensions, they are also able to fit through a standard door.

Versatile to use

With their compact design, long lateral outreach, articulated outriggers with high levelling capability, and with the support of the automatic control system, the CMC HD Series platforms can reach anywhere and operate in all conditions.



Simply to use

The HD series platforms are equipped with the Self Control System by CMC, an electronic system that automatically carries out a series of operations: outrigger levelling, boom's movements control, closing of the aerial part, and reporting of any malfunctions.

FEATURES

200 bar air/water hose and 230V and 12V socket in the basket

Radio remote control



Self Control System by CMC

Self-diagnosis display

Several engines available

Electro-hydraulic proportional controls

Protective cover on the cylinder of the outriggers

Multiple Stabilisation areas



Some available options

	S19HD	S22HD
Kubota Z602 diesel engine	●	●
Full lithium battery version (160Ah)	●	●
230V, 120V, 110V electric motor	●	●
Hydraulically adjustable undercarriage	●	●
Basket rotation (+90°/-87°)	●	●
Non-marking grey tracks	●	●
Triple travel speed	●	●
1 or 2 man fibreglass basket	●	●
2 man basket with quick release system and wheels		●
Remote connection with Sim Card and GPS Locator	●	●
Fixed control station in the basket	●	●
Customisable colours	●	●

CMC PLATFORMS APPLICATIONS



Refurbishment building works even in places with difficult access such as worship places, historical buildings, hotels, and shopping centres.

Facilities management mainly in restricted traffic areas or in locations that are difficult for truck-mounted platforms.



Pruning tall trees and even operating in tight spaces inside private homes on particularly delicate turf.



TECHNICAL DATA

S19HD

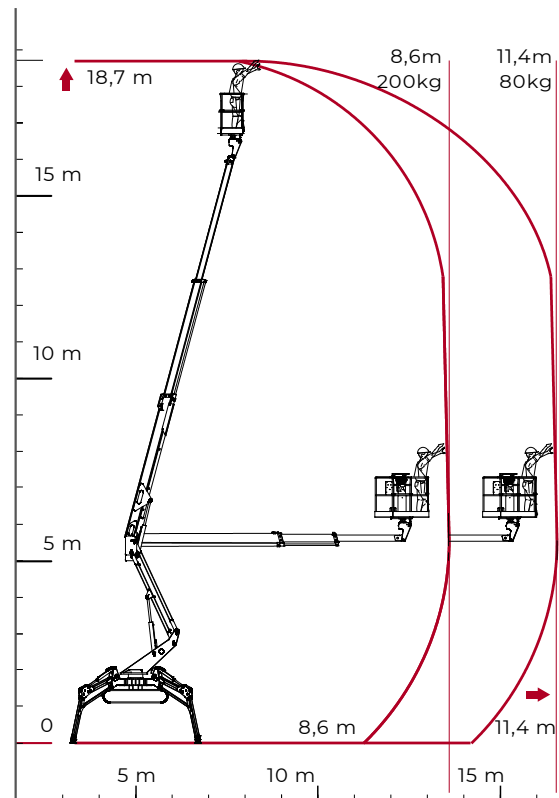
PERFORMANCE AND DIMENSIONS

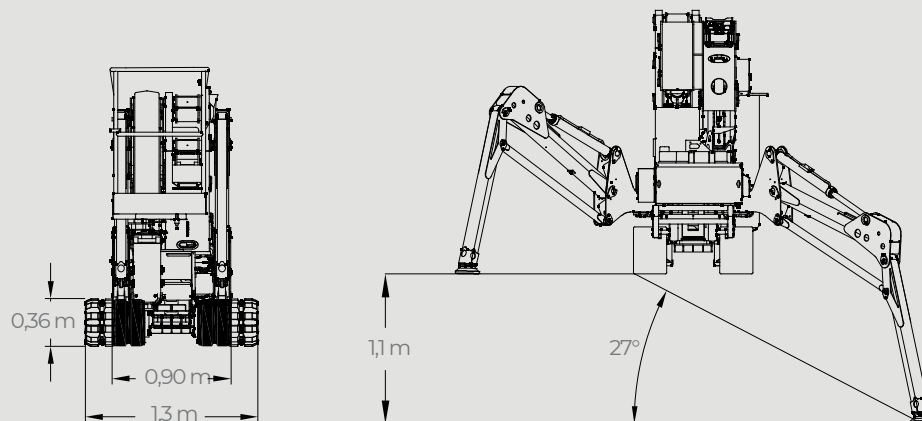
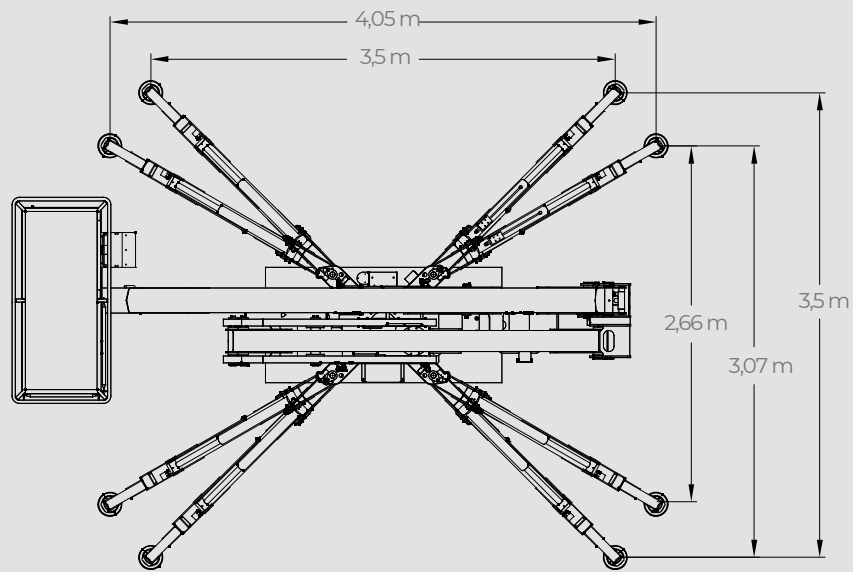
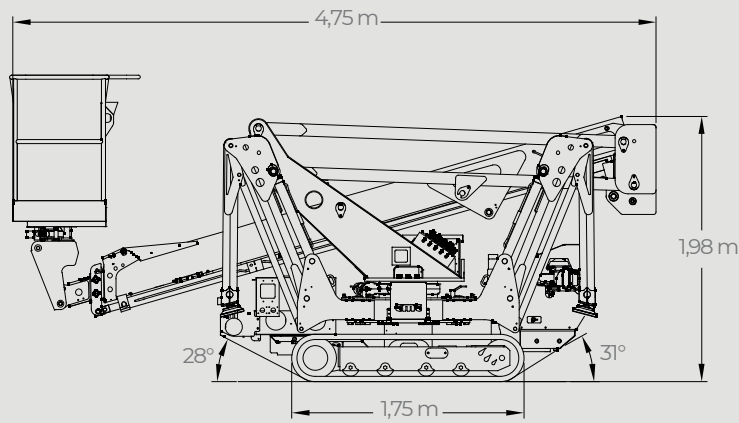
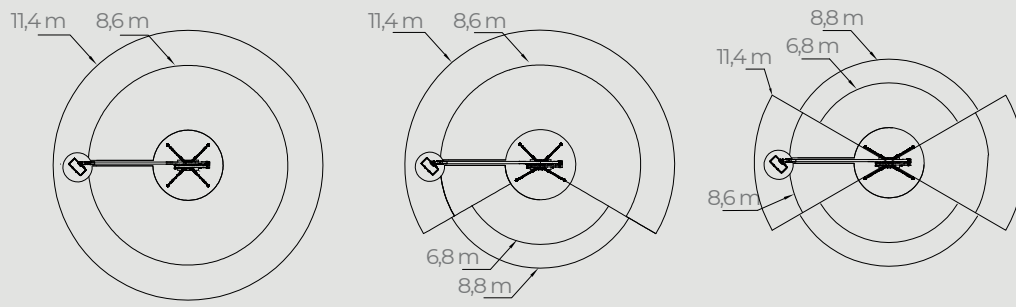


Main features

This articulated platform with pantograph and telescopic boom offers outstanding performance thanks to its outriggers of high levelling capacity. Designed for maximum work performance on the toughest terrain, it's an excellent alternative to a truck-mounted platform.

Max. working height	18,7 m
Max. outreach	11,4 m
Platform height	16,7 m
Max. load in basket	200 kg
Basket dimensions	1,4 x 0,7 x 1,1 m
Basket rotation	+90°/-87° (options)
Turret rotation	+/- 355° (710° continuous)
Total weight	2666 Kg





TECHNICAL DATA

S22HD

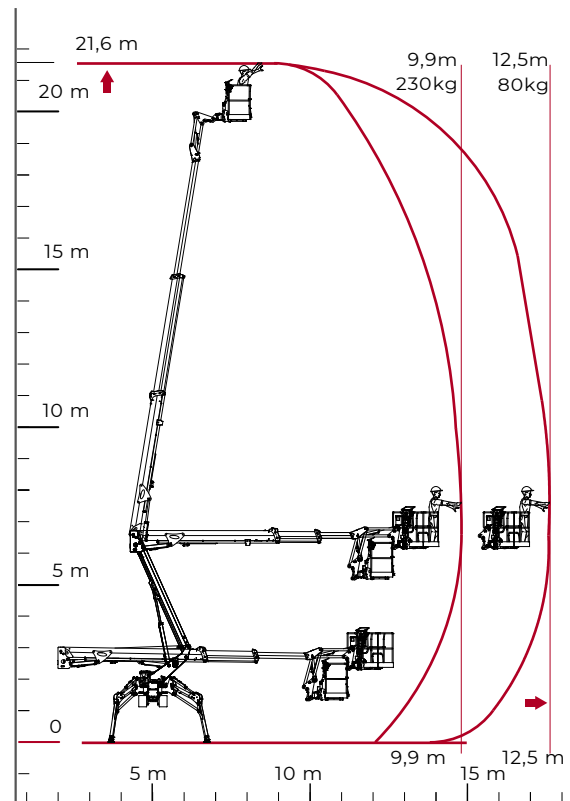
PERFORMANCE AND DIMENSIONS

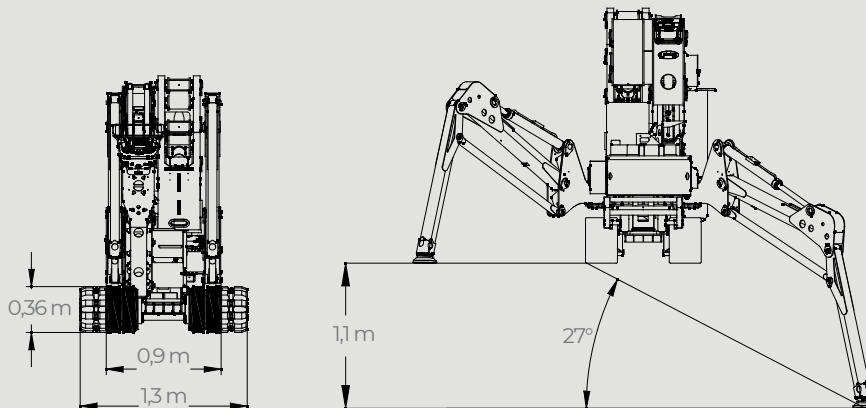
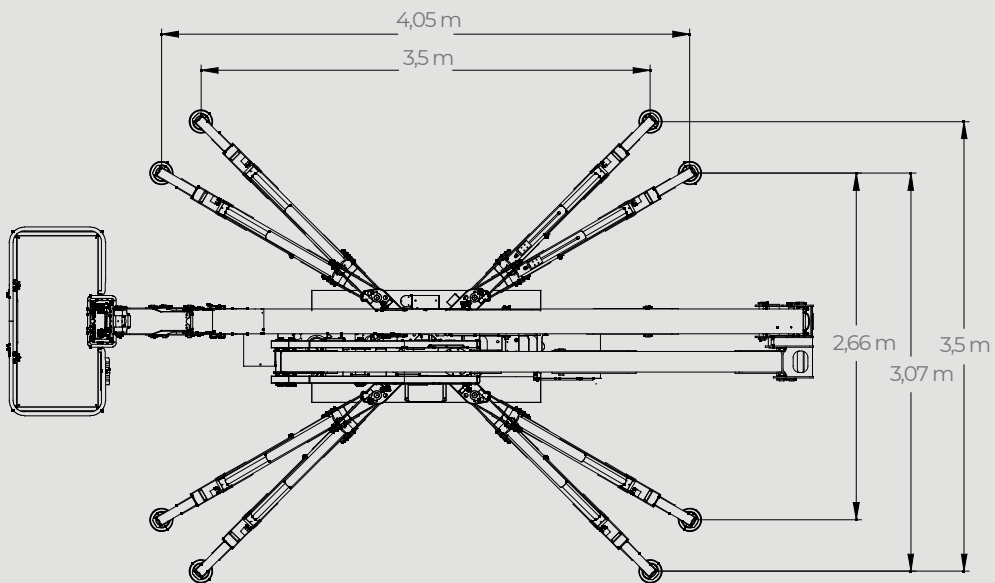
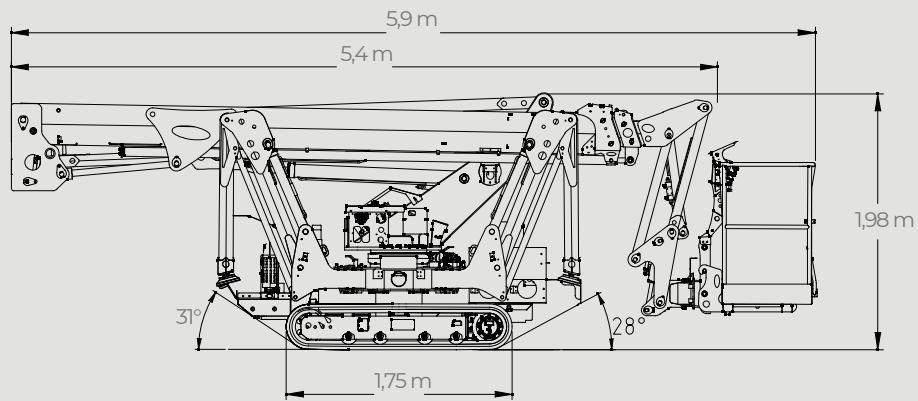
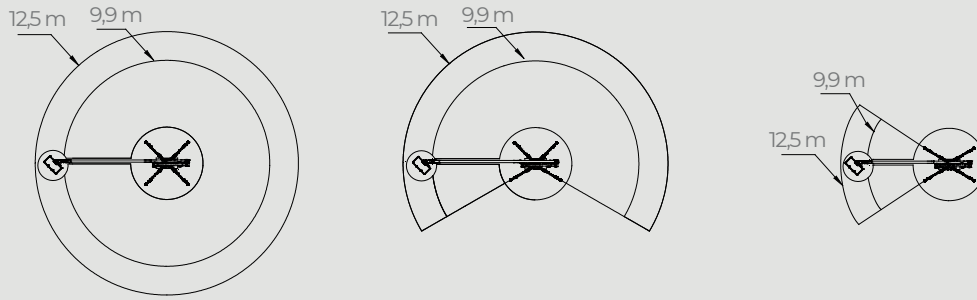


Main features

An articulated platform with a pantograph and a two-stage telescopic boom plus jib. This combination, together with its outriggers of high levelling capacity, three working areas and long horizontal outreach, makes it ideal for all outdoor works, even in extreme conditions.

Max. working height	21,6 m
Max. outreach	12,5 m
Platform height	19,6 m
Max. load in basket	230 kg
Basket dimensions	1,4 x 0,7 x 1,1 m
Basket rotation	+/- 90° (options)
Turret rotation	+/- 355° (710° continuous)
Total weigh	3005 Kg





CMC SELF-PROPELLED CRAWLER PLATFORMS

F SERIES

MODEL	MAX. WORKING HEIGHT	MAX. OUTREACH	WEIGHT
S13F	12,9 m	8,5 m	1565 Kg
S15F	14,8 m	8,7 m	2378 Kg
S18F	17,78 m	11,15 m	2495 Kg

LC SERIES

MODEL	MAX. WORKING HEIGHT	MAX. OUTREACH	WEIGHT
S15	14,9 m	6,9 m	1820 Kg
S19E	18,7 m	9,3 m	2545 Kg
S19N	18,9 m	9,5 m	2435 Kg
S23	23 m	12,4 m	2865 Kg

HD SERIES

MODEL	MAX. WORKING HEIGHT	MAX. OUTREACH	WEIGHT
S19HD	18,7 m	11,4 m	2666 Kg
S22HD	21,6 m	12,5 m	3005 Kg

DP SERIES

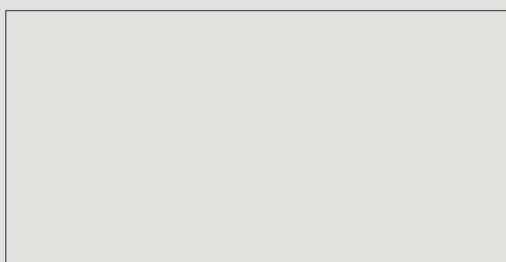
MODEL	MAX. WORKING HEIGHT	MAX. OUTREACH	WEIGHT
S25	25 m	14 m	3885 Kg
S28	27,9 m	14 m	4123 Kg
S32	32 m	16 m	7240 Kg

XL SERIES

MODEL	MAX. WORKING HEIGHT	MAX. OUTREACH	WEIGHT
S41	41 m	19 m	13460 Kg

i SERIES

MODEL	MAX. WORKING HEIGHT	MAX. OUTREACH	WEIGHT
i23	23 m	10 m	3930 Kg



CMC
THE SPECIALIFT

Via Bitritto, 119 - 70124 BARI - ITALY
Tel. +39 080 532 66 06 - Fax +39 080 536 85 41
www.cmclift.com - info@cmclift.com

Follow us on

